



**1-in-1-out high AC-DC(voltage/Current) signal isolation transmitter**

**Features:**

- ◆ Small size, low cost, PA66 Retardant housing international standards DIN35mm rail mounting
- ◆ Three-port isolation (input, output and power supply )
- ◆ High accuracy (0.1% F.S, 0.2% F.S, 0.5% F.S)
- ◆ High isolation voltage (3000VDC/60S)
- ◆ Low temperature drift (50PPM/°C)
- ◆ Wide operation temperature (-45~+85°C)
- ◆ High reliability (MTBF>50 Wan hour)
- ◆ Power supply (5VDC/12VDC/15VDC/24VDC/9-30VDC/220VAC,etc.)
- ◆ AC Signal input (0-1000V/0-500V/0-220V/0-110V/0-20A/0-10A/0-5A,etc.)
- ◆ International standard signal output (0-3.3V/0-5V/0-10V/1-5V/4-20mA/0-20mA,etc.)

**Applications:**

- ◆ AC signal acquisition and conversion
- ◆ AC small signal amplification and conversion
- ◆ High-precision measurement and monitoring of power distribution
- ◆ Power isolation monitoring industrial site
- ◆ Power monitoring, medical equipment isolation barrier
- ◆ Industrial field signal isolation and distance transmission without distortion
- ◆ External form a single-phase or poly phase transformer isolation transmitter

**General Description:**

JieShengda Technology **JSD TAE-1001D** series 1-in-1-out AC-DC signal isolation transmitter, is an AC signal is collected and converted into a corresponding analog linear DC signal mixing circuit. The isolation transmitter a set of multi-channel micro-power, high isolation DC-DC power supply and a set of high-precision AC-DC signal conversion circuit. The group of high-precision AC-DC circuit can be sensor to the 0-20AAC or 0-1000VAC(50~60Hz) AC signal is converted into a proportional analog voltage to international standards and current signals,(eg:4-20mA/0-20mA/0-5V/1-5V/0-10V) isolation transmitter SMD technology and new quarantine measures to isolate the power supply and the transmitter work input signal/output isolation voltage up to 3000VDC external transformer can be formed after the single-phase or multi-phase transmitter isolation between input and output signals to achieve isolation. Products in power remote monitoring, instrumentation, medical equipment, industrial automation control and other fields widely used. **For Two-wire AC signal isolation transmitter**

**Please choose: JSD TAW-1001D-100I-E series;**

**Sections and Definitions:**

<b>Selections list:</b>							
<b>signal input code:</b>			<b>Power supply code:</b>		<b>output signal code:</b>		
<b>Voltage(AC)</b>		<b>Current(AC)</b>		W:	5-30VDC	1:	4-20mA
1:	0-1V	A:	0-20mA	1:	24VDC	2:	0-20mA
2:	0-5V	B:	0-100mA	2:	15VDC	3:	0-10mA
3:	0-10V	C:	0-500mA	3:	12VDC	4:	0-5V
4:	0-110V	D:	0-1000mA	4:	5VDC	5:	0-10V
5:	0-220V	E:	0-1500mA	5:	220VAC	6:	1-5V
6:	0-380V	F:	0-2000mA			7:	0-3.3V
7:	0-500V	G:	0-5000mA				
8:	0-1000V	H:	0-10000mA				
U:	User-defined			U:	User-defined	U:	User-defined
<b>Note:</b>	<b>When ordering, please determine input、 output and power , special can customize</b>						



**Selection Example:**

Example 1: input:0-500VAC; output:4-20mA; power supply:24VDC; Model: JSD TAE-1001D-711

Example 2: input:0-200VAC; output:0-10V; power supply:15VDC; Model: JSD TAE-1001D-U25

Example 3: input:0-10AAC; output:4-20mA; power supply:220VAC; Model: JSD TAE-1001D-H51

Example 4: input:0-5AAC; output:0-3.3V; power supply:30VDC; Model: JSD TAE-1001D-GW7

Example 5: input:0-1AAC; output:4-20mA; power supply:18VDC; Model: JSD TAE-1001D-DW1

Example 6: input:0-100VAC; output:0-20mA; power supply:5VDC; Model: JSD TAE-1001D-U42

**Electrical Characteristics:**

Signs	Item		Test condition	Min	Type	Max	Units	
<b>Isolation characteristics</b>	Isolation voltage		AC,50Hz,tested for 1 minute, humidity<70% leakage current < 1mA,)		3000		V(rms)	
	<b>Transmission characteristics</b>	Gain			1	50/10	100/2	V(A)/V
Gain drift					±50		ppm/°C	
Non-linearity				±0.1	±0.2		%FSR	
Accuracy Class				±0.1	±0.2	±0.5	%	
<b>Input characteristics</b>	Signal input	voltage		1	500	1000	VAC	
		current		0.1	10	20	AAC	
	Input	Input		2	5	7	mV	
<b>Output characteristics</b>	Signal output	voltage		0	10		V	
		current		0	20		mA	
	Load capacity	voltage	Vout=10V			2		kΩ
		current		0	350	500		Ω
	Signal output ripple		Unfiltered			10	20	mVRMS
	Response time					<300		mS
<b>Power Supply input characteristics</b>	DC Power supply	Voltage		3.3	12	30	VDC	
		Power		1	1.2		W	
		Range		-10		+10	%	
	AC Power supply	Voltage		90	220	260	VAC	
		Power		0.8	1		W	
		Range		-	-	-	%	
<b>Other characteristic</b>	operating temperature			-45		85	°C	
	storage temperature			-55		105	°C	
	weight			75		85	g	
<b>Note:</b>	<b>normal load≤350Ω,if requiring load is 500Ω, Please note when ordering</b>							

**Pins function description:**

Pin	Function Description	Pin	Function Description	Package
1	Signal In+	5	Signal Out+	International Standard DIN35 Rail Mounting
2	Signal In-	6	Signal Out-	
3	No pin (NC)	7	Power In + / AC L	
4	No pin (NC)	8	Power In - / AC N	

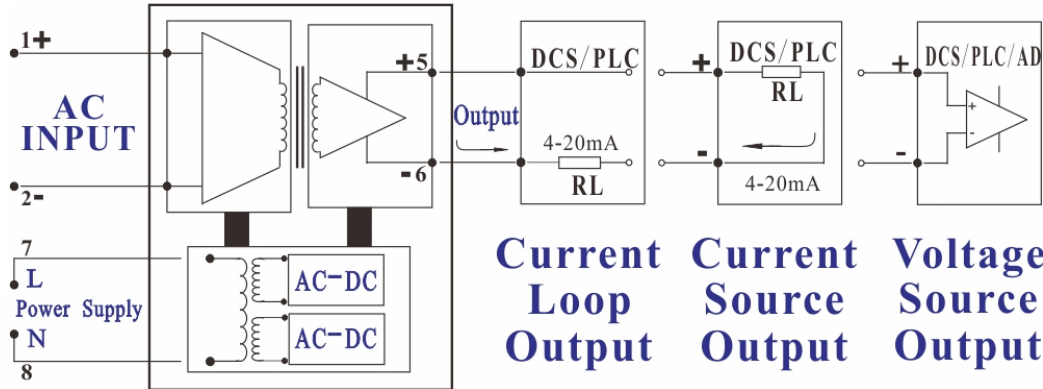
**Application Wiring Diagram:**



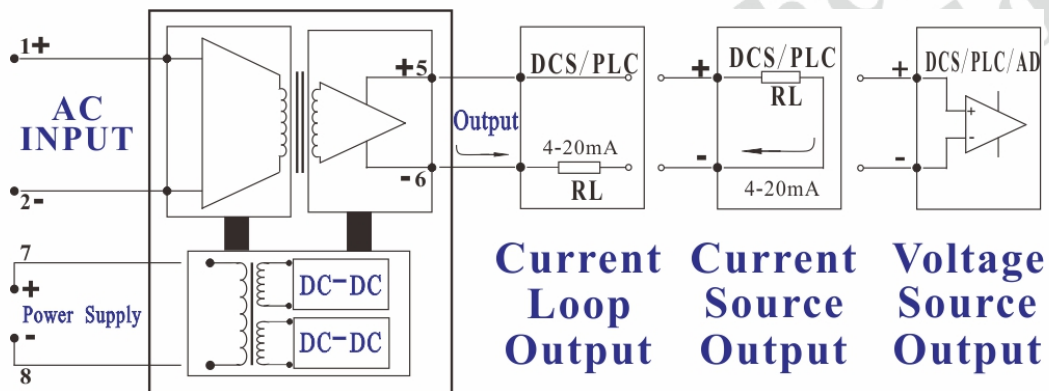
**Risk of electrical shock**

**Please pay attention to safety when wiring input terminal**

**AC Power:**



**DC Power:**



**Notes:**

- 1、 Please read the user manual carefully before using. If any question please contact our technical support department.
- 2、 Please do not use this product in hazardous area.
- 3、 NC" pin must not be connected to any external circuit, otherwise it will damage the product itself;
- 4、 Calculating from the date of delivery, during normal use of the product, any quality problems are free repair or replacement by Company during 3 years warranty;
- 5、 the product is strictly forbidden demolish without permission for not damage;
- 6、 All specifications measured at Ta=25°C, humidity<75%, nominal input voltage and rated output load unless otherwise specified.
- 7、 In this datasheet, all the test methods of indications are based on corporate standards.

**Copyright:**

Copyright © 2018 Shenzhen Ji Sheng da Technology Co., Ltd.

Without the prior written permission of the company, any content in this manual may not be copied, distributed, translated or transmitted in any form or method (electronic or mechanical).

Including photocopying, recording or storage in any information storage and retrieval system. This manual is subject to modification or update without notice.

trademark

All other trademarks and copyrights belong to their respective owners